

No.236 Tackiness Checker Model **HTC-1**



Measurement unit
(Aluminum R ring, model AL-R1)

■ APPLICATION

The Tackiness Checker HTC-1 is a convenient, easy-to-use instrument that was developed to allow on-site testing of the tackiness of rubber components. The instrument may also be used to test the tackiness of adhesive tapes, depending on the application.

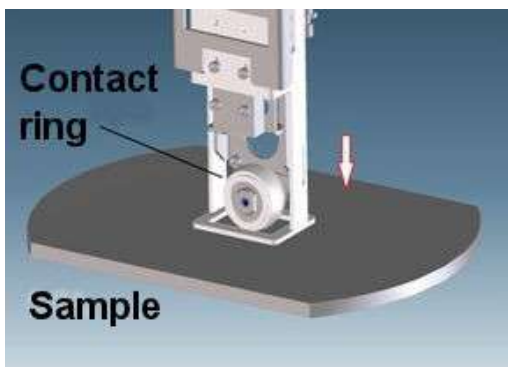
In the molding process of tires and belts, where components including rubber and reinforcement materials are bonded in multiple layers and vulcanized, it is very important to check the component tackiness before the forming process is completed. The Tackiness Checker HTC-1 provides a simple and portable method for accurate, on-site testing.

■ FEATURES

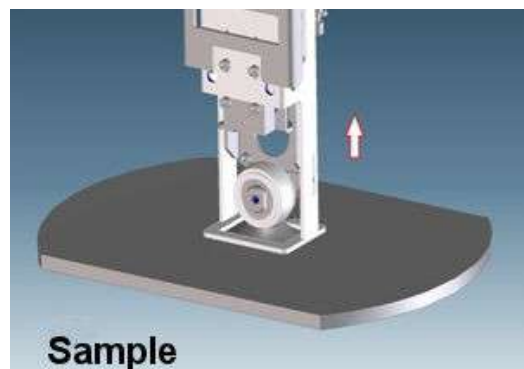
- Compact and light-weight (1.3kg)
- Handheld and highly portable
- Automatic start provides reading with a simple press of the instrument against the sample
- Ratchet mechanism rotates the contact ring after each measurement
- Easy cleaning of contact ring with instrument cleaning mode
- Surface temperature of sample is optionally measurable

■ MEASUREMENT PRINCIPLE

Sticking



Separating



■ SPECIFICATIONS

Model	HTC-1
Measure tackiness	Max 20N , resolution 0.1N (load cell system)
Press force	10N (Standard) (Variable between 5 to 12N)
Press time	3 sec / 6 sec (selection)
Test number	1 / 3 / 5 (selection)
Contact ring moving speed (Down and up)	Approx. 2.3mm/sec.
Contact ring	Aluminum R ring (Model AL-R1)
Contact ring drive	Brushless DC motor
Contact ring rotation	Auto rotation function
Minimum sample size	50 x 50mm
Test condition (input)	<ul style="list-style-type: none"> ■ Sample name (4 digits) ■ Results display (median or average if multiple) ■ Number (1, 3, 5) ■ Press time (3 sec or 6 sec)
Calendar function	Date, Time (yyyy/mm/dd hh:mm), auto refresh until 2099
Battery	Lithium ion battery 7.4V, 2000mA
Power consumption	Standby: 550mW, Motor drive: 800mW
Dimensions	W118 x D72 x H222mm
Net weight	Approx. 1.3kg

■ ACCESSORIES & OPTIONS

● Standard ○ Option

	Name	Model (Part No.)	Photo	HTC-1
1	Aluminum R ring (Aluminum curvature surface ring)	AL-R1		●x1
2	Aluminum flat surface ring <i>Features larger contact area than aluminum R ring for increased tackiness value</i>	AL-F1		○
3	Flat surface ring	AL-M1		○
4	Built-in thermopile radiated temperature sensor <ul style="list-style-type: none"> ■ Measurement range: 5 to 40°C (Resolution: 1°C) <i>Note: This sensor is adjusted to the radiation rate of rubber (≒ 0.95). Temperature of materials with a different radiation rate cannot be correctly measured.</i>	ST-1		○
5	Carrying case <i>For storage of main instrument and attachments</i>	KS-1		○

Specifications are subject to change without notice.



TOYO SEIKI SEISAKU-SHO, LTD.

5-15-4, Takinogawa, Kita-ku, Tokyo 114-8557, Japan

Tel:+81-3-3916-8183 Fax:+81-3-3916-8173

www.toyoseiki.co.jp

20191127 MN